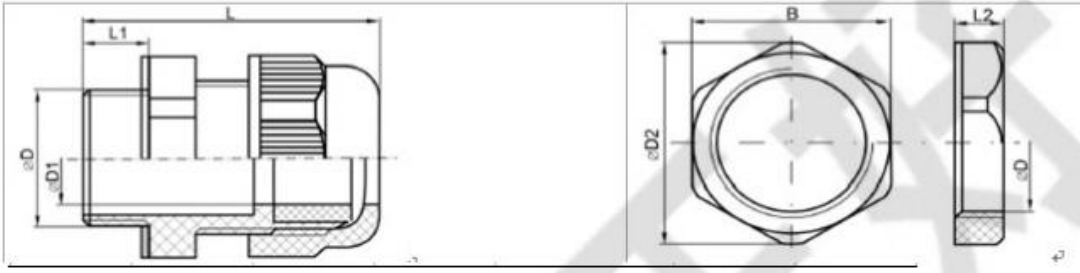


Sensor size drawing

Temp&humidity sensor size drawing

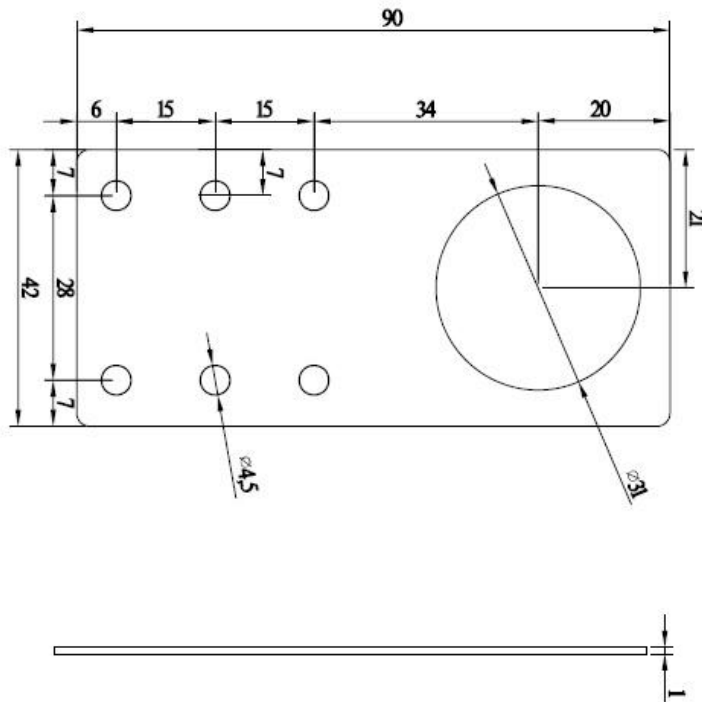


Brightness sensor size drawing:



規格	D(mm) ± 0.1	B(mm) ± 0.1	D2(mm) ± 0.1	L(mm) ± 0.1	L1(mm) ± 0.1	L2(mm) ± 0.1
PG25	29.9	35.9	38.9	44.6	11	7

(small version size:)



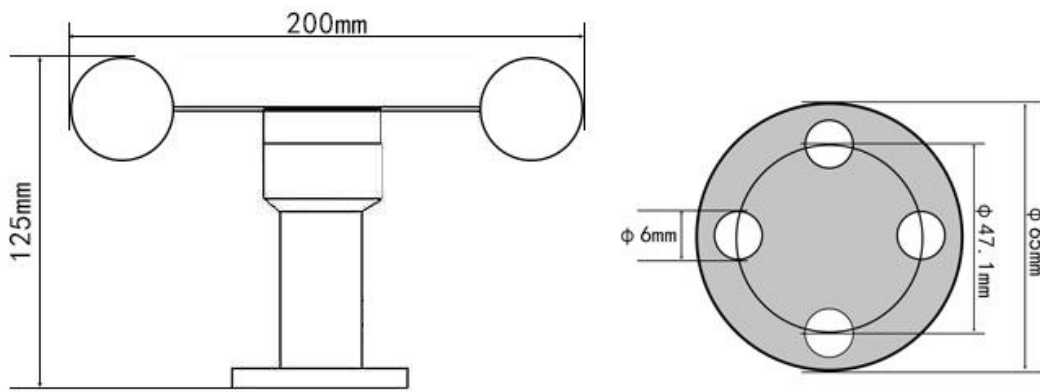
noise sensor size drawing:



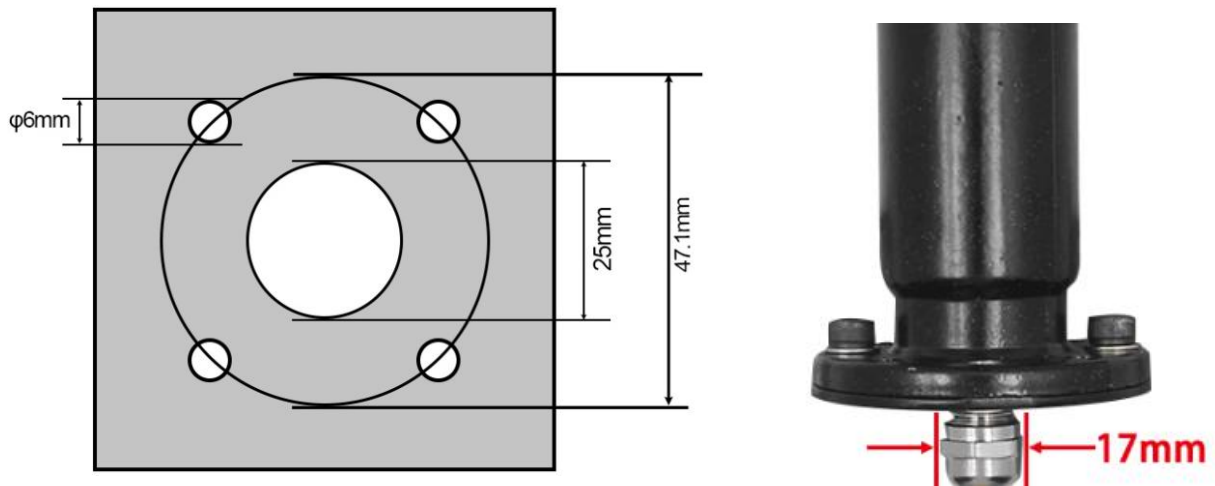
air quality sensor size drawing:



Wind speed sensor size:



Installation size:



Wind direction size:

